

- SPECIFICATIONS HD 1500 -

Item Number:	8233
Load Capacity:	1,500 lbs.
Load Size:	22 Cubic Feet
Overall Dimensions:	98" x 54" x 31"
Overall Weight:	127 lbs.
Body Dimensions:	72" x 40" x 18"
Tire Size:	18 x 8.5-8
Instruction P/N	102655

NOTICE: Once used, this trailer cannot be returned to the store. If you have a warranty claim, please contact us before returning it to us.

- Customer Service Hrs: 9am to 4pm, Monday – Friday
- W & H Eves Ltd.
Attn: Customer Service
The Smithy, Woodgate. Crawley Lane, Kings Bromley. Staffs. DE13 7JF
- Phone: + 44 (0) 1543 473444
- Fax: + 44 (0) 1543 472152
- Email: tim.lambon@muddytrailers.com

**** Polar Trailer cannot honor warranty without an original, dated receipt ****

Warranty Information:

Polar Trailer (a division of CLAM Corporation) warrants to the original retail purchaser (not transferable) its product to be free from manufacturers defects for one (1) year from the date of the original purchase. Polar Trailer will replace or repair any part found defective within the one (1) year time frame. All parts must be returned to Polar Trailer. Before returning any parts, you must first contact Polar Trailer to obtain a **RMA (Return Material Authorization)**. All returns must be returned postage-prepaid and include the original cash register receipt (date and purchase price).

To obtain a return authorization, please use one of the following methods:

- **Call:** + 44 (0) 1543 473444
- **Write:** **W & H Eves Ltd**
Attn: Customer Service – Returns
The Smithy, Woodgate. Crawley Lane
Kings Bromley. Staffs. DE13 7JF
- **email:** tim.lambon@muddytrailers.com

Information needed: Full name, mailing address, phone number, copy of original receipt, product purchased, and pictures clearly showing the issue(s) if you have them.

Note: Please write the return authorization number on the outside of the package to help ensure the transaction gets processed swiftly and accurately.

-Warranty Information continued next page-

Warranty Information Continued:

The warranty does not apply to any Polar Trailer product which has been subjected to an accident, improper installation, modification, adjustment, repair, misuse, misapplication, fire, theft, loss, neglect, including but not limited to improper maintenance, or use or unauthorized parts or attachments.

Limitation of Liability

It is expressly understood that Polar Trailer's liability for its products, whether due to breach of warranty, negligence, strict liability, or otherwise, is limited to the repair of the product as stated above. Polar Trailer is not liable for any injury, loss, damage, or expense, whether direct or consequential, including but not limited to loss of use, income, profit, or damage to material arising in connection with the sale, installation, use of, inability to use, or the repair or replacement of Polar Trailer products. Polar Trailer reserves the right to make alterations or modifications in its products at any time, which in its opinion, may improve the performance and efficiency of the product. It shall not be obligated to make such alterations or modifications to products already in service.

WARNING:

THIS ATTACHMENT IS INTENDED FOR USE IN LAWN CARE AND HOME APPLICATIONS. DO NOT TOW BEHIND A VEHICLE ON A HIGHWAY OR IN ANY HIGH SPEED APPLICATION. THIS PRODUCT HAS BEEN DESIGNED FOR OFF-ROAD USE ONLY. MAXIMUM TOW SPEED IS 10 MPH.

Transporting Loads Safely

- Stopping distance increases with speed and weight of towed load. Travel slowly and allow extra time and distance to stop.
- Total towed weight must not exceed limits specified in towing vehicle operator's manual.
- Excessive towed load can cause loss of traction and loss of control on slopes. Reduce towed weight when operating on slopes.
- Never allow children or others in or on towed equipment.
- Use only approved hitches. Tow only with a machine that has a hitch designed for towing. Do not attach towed equipment except at the approved hitch point.
- Follow the manufacturer's recommendations for weight limits for towed equipment and towing on slopes.
- Do not turn sharply. Use additional caution when turning or operating under adverse surface conditions. Use care when reversing.
- Do not shift to neutral and coast downhill

Protect Bystanders

- Keep bystanders away when you operate a towed attachment.
- Before you back machine and attachment, look carefully behind attachment for bystanders.

Keep Riders off Towed Attachment

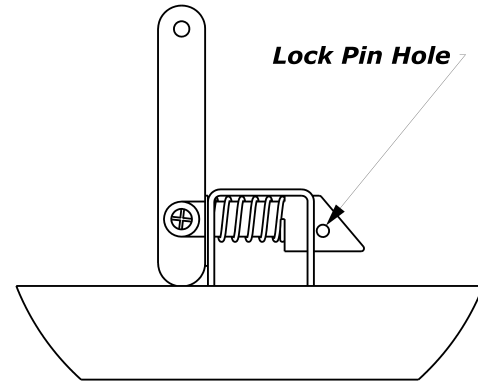
- Keep riders off of a towed attachment.
- Riders on a towed attachment are subject to injury, such as being struck by objects and being thrown off the attachment during sudden starts, stops and turns.
- Riders obstruct the operator's view, resulting in the attachment being used in an unsafe manner.
- Keep riders off of the hitch bracket or trailer tongue.

Disconnecting Towed Attachment

- Unload trailer.
- Stop attachment on level ground.
- Stop machine engine.
- Lock machine park brake.
- Block attachment wheels

Lock Pin Hole

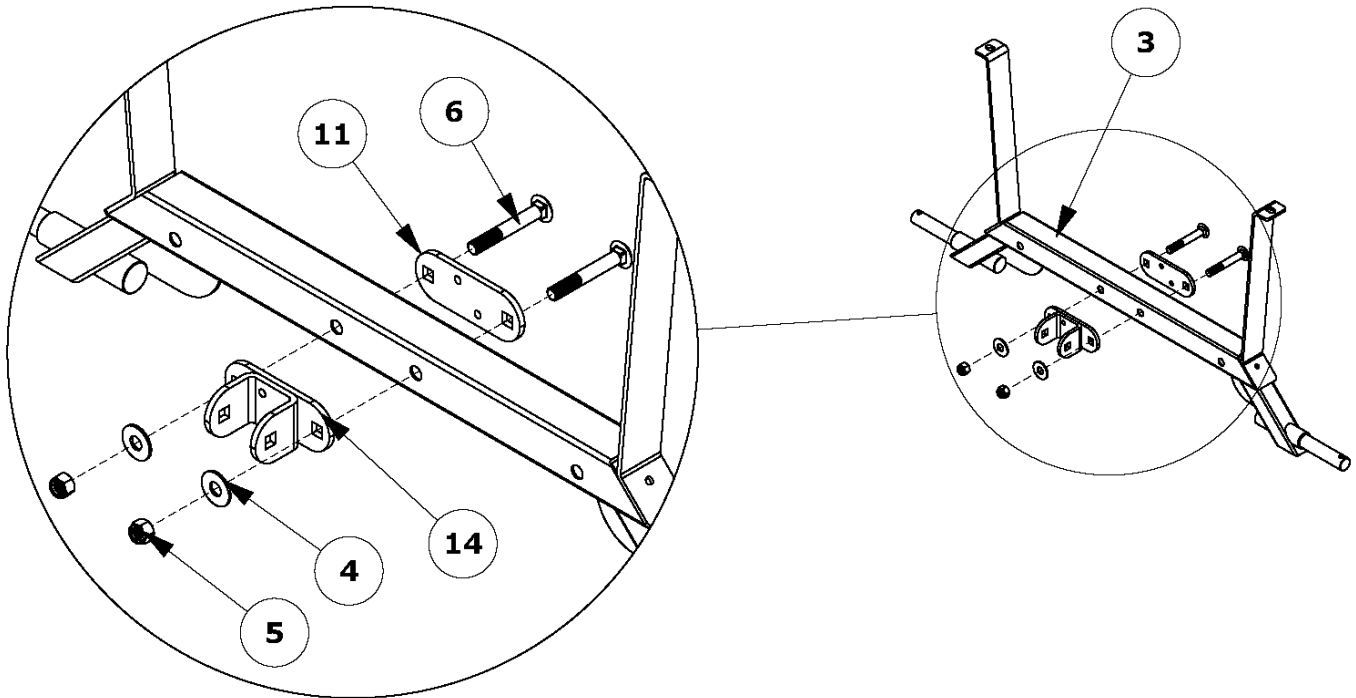
- A hole has been provided in the Latch Plate to lock the Latch Mechanism if desired.>>



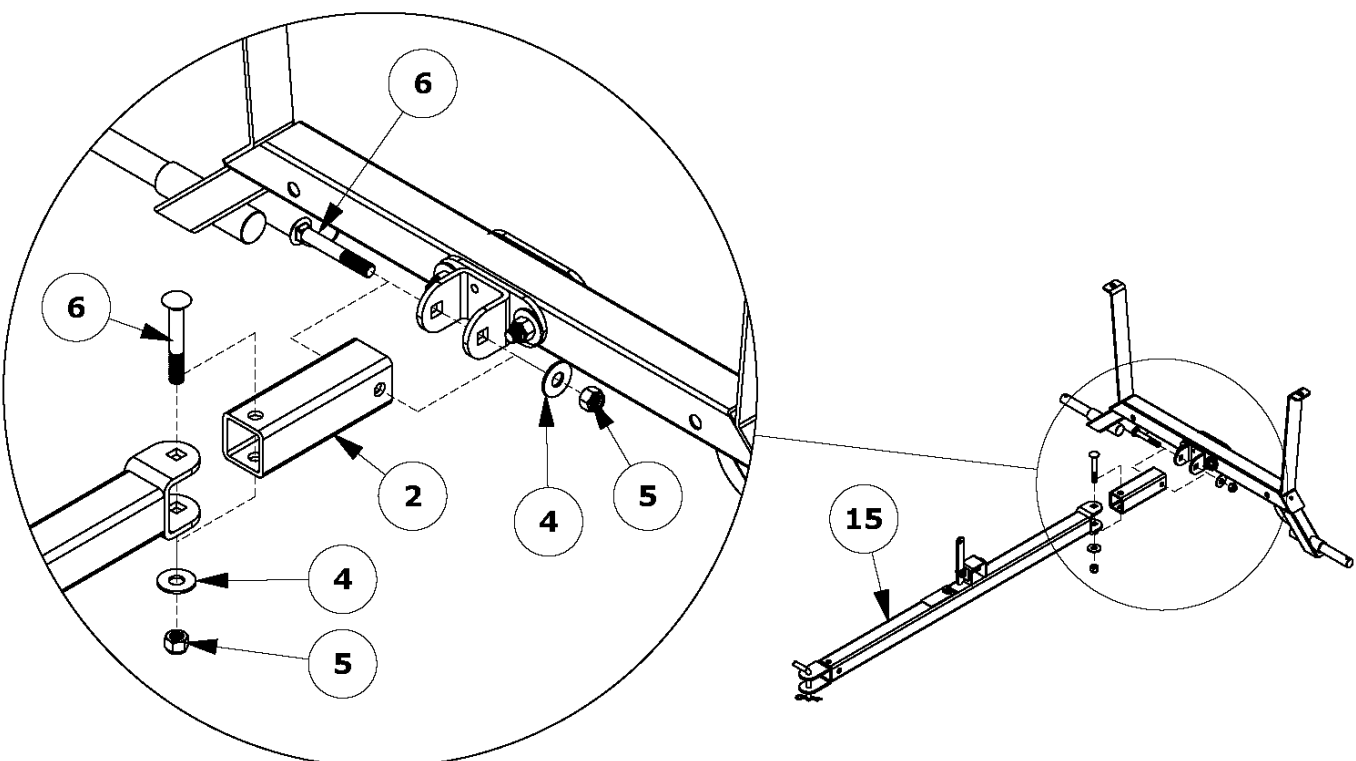
- Replacement Parts

ITEM NO.	PART NUMBER	DESCRIPTION	QTY.
1	102587	TIRE, 18X8.50-8 TURF	2
2	101721	PIVOT TUBE, 2" X 2"	1
3	101792	AXLE WELDMENT	1
4	101312	WASHER, 1/2" FLAT	6
5	101313	NUT, 1/2-13 NYLOCK	6
6	101739	BOLT, 1/2-13 X 3.50"	6
7	101740	NUT, 3/8-16 NYLOCK	6
8	101741	WASHER, 3/8" FLAT	6
9	101749	BOLT, 3/8-16 X 1.25"	6
10	101787	U-FRAME ASSEMBLY	1
11	101824	PULL SUPPORT PLATE	1
12	101732	WASHER, 1" FLAT	4
13	101823	1/4" LYNCH PIN	2
14	101822	HITCH PULL WELDMENT	1
15	102239	HITCH ASSEMBLY	1
16	101980	BASE, 1500 POLAR TRAILER	1
17	102656	DECAL, POLAR, HD1500	1
18	102658	DECAL, POLAR, ONE TOUGH TRAILER	1

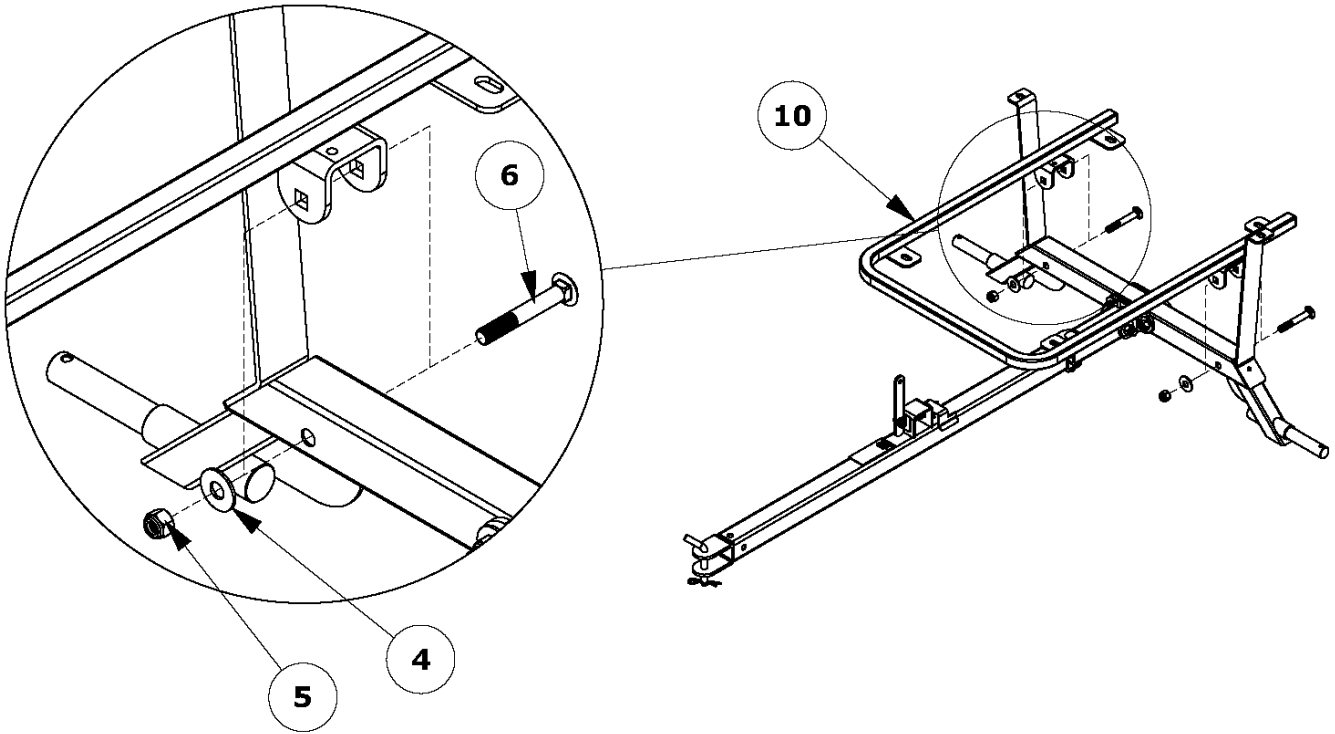
STEP ONE



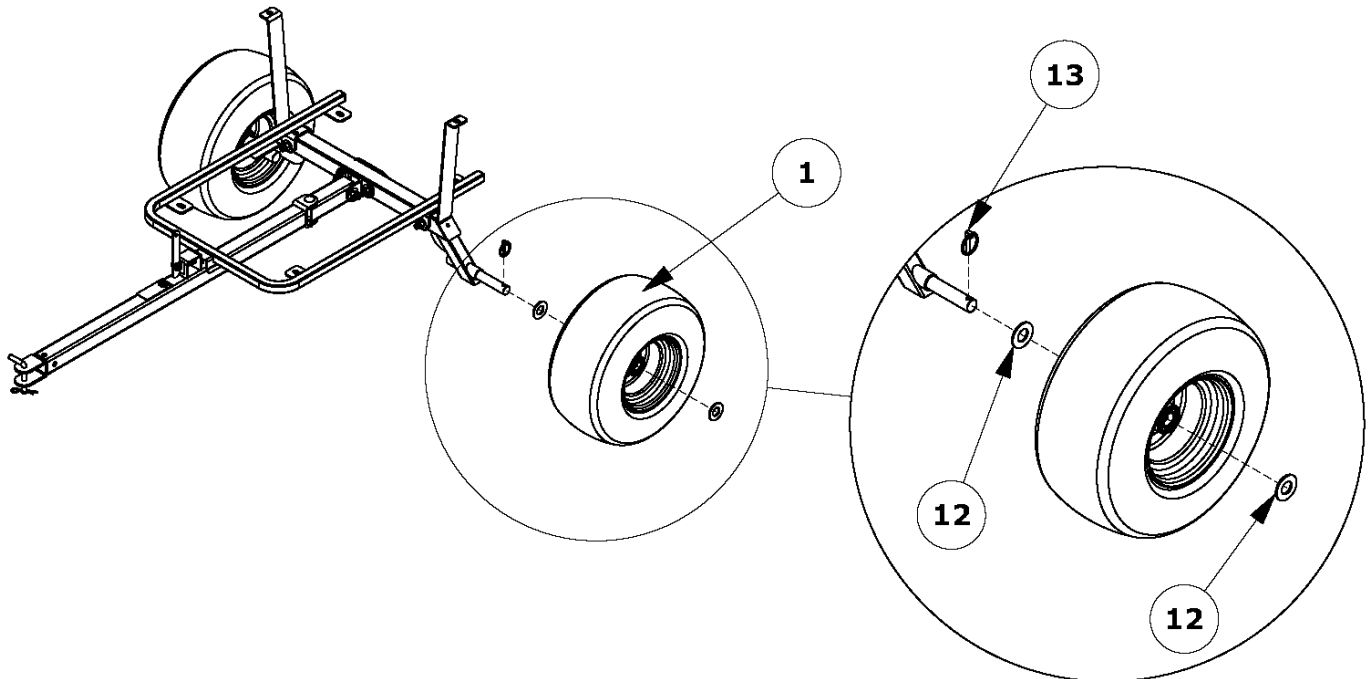
STEP TWO



STEP THREE



STEP FOUR



STEP FIVE

