



TANDEM WALKING ARM

Item Number: 8251

WARNING: THIS CONVERSION KIT IS INTENDED FOR INSTALLATION ON POLAR TRAILERS ONLY. USE WITH OTHER TRAILERS COULD RESULT IN SERIOUS INJURY OR DEATH.

NOTICE: Once used, this trailer cannot be returned to the store. If you have a warranty claim, please contact Polar Trailer UK directly.

Warranty Information

Polar Trailer UK, LLC. (a division of W & H Eves) warrants to the original retail purchaser its product be free from manufacturers defects for one (1) year from the date of the original purchase. Polar Trailer UK will replace or repair any part found defective within the one (1) year time limit. All parts must be returned to Polar Trailer UK. Before returning any parts, you must first call or write and acquire a return authorisation number. All returns must be returned postage-prepaid and include the original cash register receipt (date and purchase price).

To obtain a return authorisation, please use one of the following methods:

- Call: **+44(0)1543 473 444**
- Write: **W & H Eves.
Unit 5, The Aviary
Woodgate, Crawley Lane
Kings Bromley
Staffordshire
DE13 7JF**
- Email: **CustomerService@polartrailer.co.uk**

The warranty does not apply to any Polar Trailer which has been subjected to an accident, improper installation, modification, adjustment, repair, misuse, misapplication, neglect, including but not limited to improper maintenance, or use of unauthorized parts or attachments.

Limitation of Liability

It is expressly understood that Polar Trailer UK liability for its products, whether due to breach of warranty, negligence, strict liability, or otherwise, is limited to the repair of the product as stated above. Polar Trailer UK is not liable for any injury, loss, damage, or expense, whether direct or consequential, including but not limited to loss of use, income, profit, or damage to material arising in connection with the sale, installation, use of, inability to use, or the repair or replacement of Polar Trailer UK products. Polar Trailer UK reserves the right to make alterations or modifications in its products at any time, which in its opinion, may improve the performance and efficiency of the product. It shall not be obligated to make such alterations or modifications to products already in service.

Towing Loads Safely

- Stopping distance increases with speed and weight of towed load. Travel slowly and allow extra time and distance to stop.
- Total towed weight must not exceed limits specified in towing vehicle operator's manual.
- Excessive towed load can cause loss of traction and loss of control on slopes. Reduce towed weight when operating on slopes.
- Never allow children or others in or on towed equipment.
- Use only approved hitches. Tow only with a machine that has a hitch designed for towing. Do not attach towed equipment except at the approved hitch point.
- Follow the manufacturer's recommendations for weight limits for towed equipment and towing on slopes.
- Do not turn sharply. Use additional caution when turning or operating under adverse surface conditions. Use care when reversing.
- Do not shift to neutral and coast downhill.

WARNING: THIS ATTACHMENT IS INTENDED FOR USE IN LAWN CARE AND HOME APPLICATIONS. DO NOT TOW BEHIND A VEHICLE ON A ROAD OR IN ANY HIGH SPEED APPLICATION.

Protect Bystanders

- Keep bystanders away when you operate a towed attachment.
- Before you back machine and attachment, look carefully behind attachment for bystanders.

Keep Riders off Towed Attachment

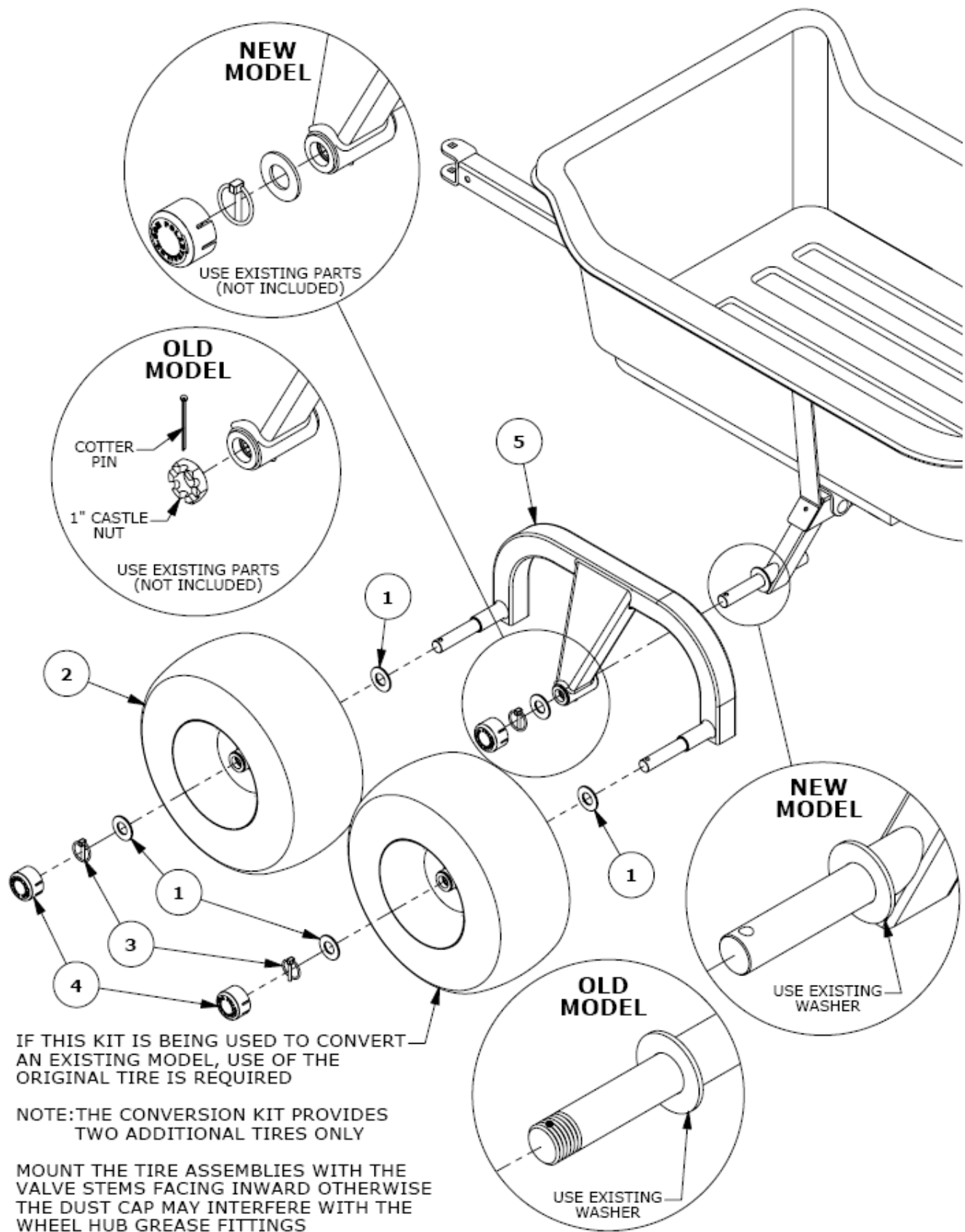
- Keep riders off of a towed attachment.
- Riders on a towed attachment are subject to injury, such as being struck by objects and being thrown off the attachment during sudden starts, stops and turns.
- Riders obstruct the operator's view, resulting in the attachment being used in an unsafe manner.
- Keep riders off of the hitch bracket or trailer tongue.

Disconnecting Towed Attachment

- Unload trailer.
- Stop attachment on level ground.
- Stop machine engine.
- Lock machine park brake.
- Block attachment wheels.

Replacement Parts

Item	Part Number	Description
1	101732	1" Flat Washer
2	101757	18x8.50x8 Wheel Assembly
3	101823	1/4" Lynch Pin
4	101825	Dust Cap
5	101870	Pivot Arm Weldment



IF THIS KIT IS BEING USED TO CONVERT AN EXISTING MODEL, USE OF THE ORIGINAL TIRE IS REQUIRED

NOTE: THE CONVERSION KIT PROVIDES TWO ADDITIONAL TIRES ONLY

MOUNT THE TIRE ASSEMBLIES WITH THE VALVE STEMS FACING INWARD OTHERWISE THE DUST CAP MAY INTERFERE WITH THE WHEEL HUB GREASE FITTINGS

NOTE: DIAGRAM SHOWN REPRESENTS ONE-HALF OF THE CONVERSION KIT